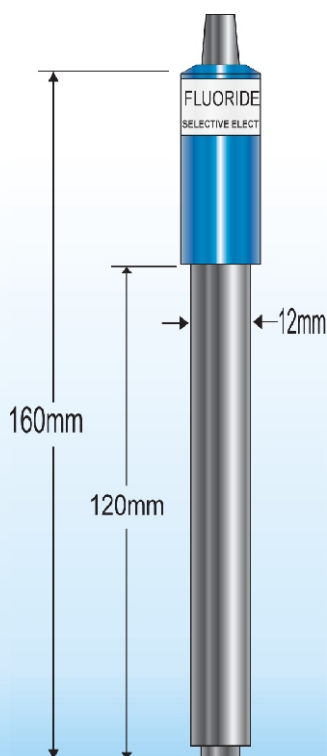


HOTEC

銨離子選擇電極 ,ION electrode [HC4-AMO]



HC4-AMO

規 格 (Specifications):

型 號 (Model)	HC4-AMO
量測範圍 (Measure range)	0.00 ~ 10000 ppm
精 確 度 (Accuracy)	± 4% full scale
參考系統 (REF electrode)	Double junction
參考電解液 (REF electrolyte)	NaCl
溫度補償 (Temp. Comp.)	ATC Probe NTC-5K for 25°C
電極斜率 (Electrode slope)	58 ± 2 mV decade
操作溫度 (Oper.Temp.)	0 to 80°C
干 擾 源 (Interferences)	K ⁺
使用壓力 (Pressure range)	0 to 30 PSI
酸鹼範圍 (PH range)	4 to 10 PH
輸入阻抗 (Resistance)	About to 200K Ω
保存方式 (Storage)	Long term: store dry Short term: store in dilute fluoride standard
應用使用 (Application)	Drinking water, wastewater and natural waters.
防水等級 (Enclosure)	IP-68